

Technical data sheet



Product features

Freezing cabinet 967 l counter top

Model	SAP Code	00013353
MF 900	A group of articles - web	Refrigeration and freezer cabinets



- GN / EN size in device: GN 2/1
- Chamber volume [l]: 967
- Minimum device temperature [°C]: -18
- Maximum device temperature [°C]: -22
- Insulation thickness [mm]: 60
- Control type: Digital
- Interior lighting: Yes
- Door lock: Yes
- Opening of device: Two-sided
- Automatic defrost: Yes
- HACCP: No
- Annual energy consumption [kWh]: 4234

SAP Code	00013353	Gross Volume [m3]	2.099
Net Width [mm]	1340	Net Volume [m3]	1.885
Net Depth [mm]	700	Number of GN / EN	6
Net Height [mm]	2010	GN / EN size in device	GN 2/1
Net Weight [kg]	155.00	Minimum device temperature [°C]	-18
Power electric [kW]	0.650	Maximum device temperature [°C]	-22
Loading	230 V / 1N - 50 Hz	Refrigerant	R290
Energy class	E	Refrigerant weight [g]	120.00
Chamber volume [l]	967	Climate class	4

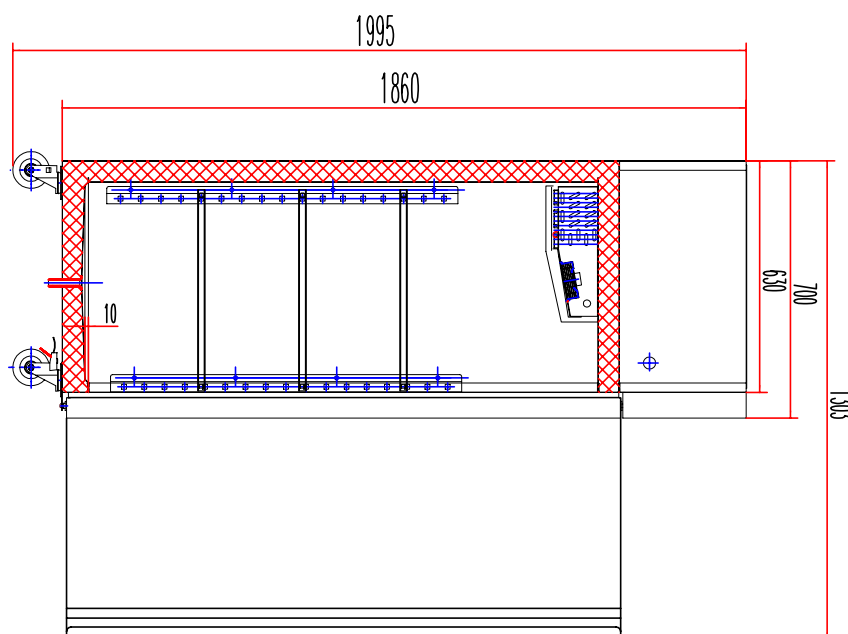
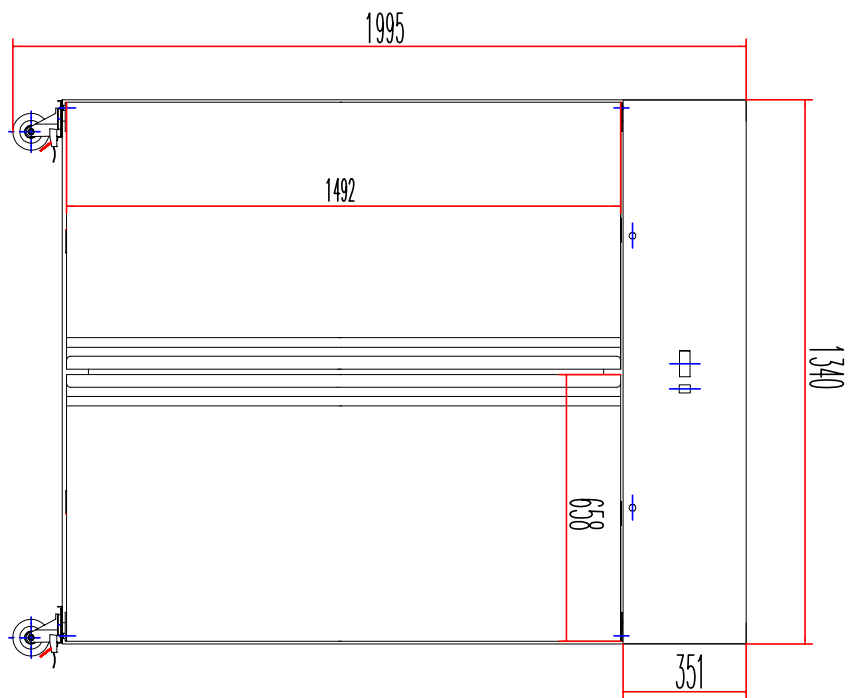
Technical data sheet



Technical drawing

Freezing cabinet 967 l counter top

Model	SAP Code	00013353
MF 900	A group of articles - web	Refrigeration and freezer cabinets



Technical data sheet



Technical parameters

Freezing cabinet 967 l counter top

Model	SAP Code	00013353
MF 900	A group of articles - web	Refrigeration and freezer cabinets

1. SAP Code:

00013353

2. Net Width [mm]:

1340

3. Net Depth [mm]:

700

4. Net Height [mm]:

2010

5. Net Weight [kg]:

155.00

6. Gross Width [mm]:

1370

7. Gross depth [mm]:

740

8. Gross Height [mm]:

2070

9. Gross Weight [kg]:

170.00

10. Device type:

Electric unit

11. Power electric [kW]:

0.650

12. Loading:

230 V / 1N - 50 Hz

13. Energy class:

E

14. Refrigerant:

R290

15. Cooling type:

Static with fan

16. Material:

Stainless steel

17. Exterior color of the device:

Stainless steel

18. Min ambient temperature [°C]:

18

19. Max ambient temperature [°C]:

43

20. Device properties 2:

Freezing

21. GN / EN size in device:

GN 2/1

22. Number of GN / EN:

6

23. Chamber volume [l]:

967

24. Gross Volume [m3]:

2.099

25. Net Volume [m3]:

1.885

26. Worktop material:

SS201

27. Adjustable feet:

Yes

28. Pizza design:

No

Technical data sheet



Technical parameters

Freezing cabinet 967 l counter top

Model	SAP Code	00013353
MF 900	A group of articles - web	Refrigeration and freezer cabinets

29. Insulation thickness [mm]:

60

39. Minimum device temperature [°C]:

-18

30. Opening of device:

Two-sided

40. Maximum device temperature [°C]:

-22

31. Gasket:

Yes

41. Automatic defrost:

Yes

32. Number of doors:

2

42. Defrosting cycle:

Yes

33. Unit:

Yes

43. Humidification:

No

34. Control type:

Digital

44. Refrigerant weight [g]:

120.00

35. Door lock:

Yes

45. Number of grids:

6

36. Interior lighting:

Yes

46. Climate class:

4

37. HACCP:

No

47. Cross-section of conductors CU [mm²]:

0,5

38. Annual energy consumption [kWh]:

4234